



U^X Component Systems



Installation and Operation Guide

Ultimate Sound, Inc
163 University Parkway
Pomona, California
Phone: 909-594-2604
Fax: 909-594-0191
e-mail
technicalsupport@ultimate-sound.com

Ultimate Europe AB
Flojelbergsgatan 8B
SE 431 37
Molndal, Sweden
Phone: 46-31 87 64 50
Fax: 46-31 87 64 50
europesupport@ultimate-europe.com

I. Introduction

You have purchased a very sophisticated component speaker system manufactured by **Ultimate[®] Sound**. Founded in 1975, **Ultimate[®] Sound** makes speakers for every car audio application, speakers for marine environments, enclosed speaker systems, amplifiers, accessories and other products. Our tradition of leadership and innovation in the audio industry continues with innovative products like **U^X Component Systems**.

We recommend you have your new **U^X Component System** installed by a professional. Professional installation shops have the equipment to do the job correctly, and the experience to recommend the best mounting locations in your vehicle.

Please use your new **U^X Component System** responsibly. Very loud music can cause permanent hearing loss.

U^X Component System Features:

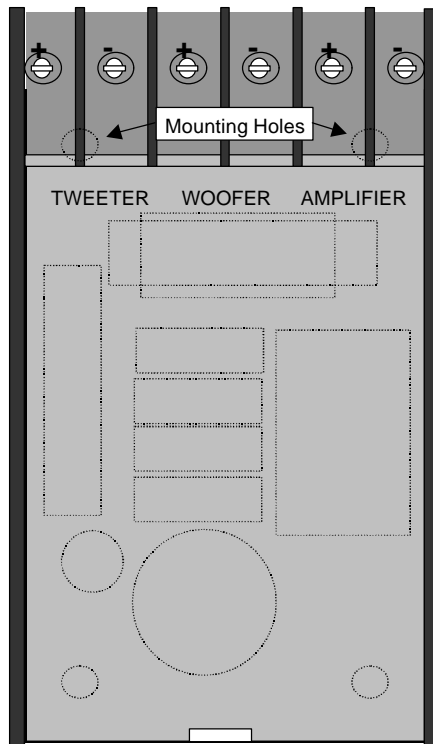
- **Graphite Injected Cone-** for strength, durability and stability during high power operation.
- The **Butyl Rubber Surround** has superior damping characteristics and will last longer than foam surrounds
- **Titanium Dome Swivel Tweeters with Neodymium Magnets** provide smooth response beyond 20kHz for crystal clear high frequencies. Surface mount and aim anywhere for complete installation flexibility.
- **Matched 12dB/Octave Crossovers** for precise system tuning.

II. Package Contents

- 1 pair of U^X component mid-woofers
- 1 pair of speaker grilles and mounting rings
- Grille mounting adhesive
- Mounting hardware(nuts, screws and screw clips)
- 1pair of titanium dome swivel tweeters
- Tweeter mounting hardware(flush, surface and angle)
- 20' of #18AWG speaker wire
- 1 pair of 12dB/Octave crossovers
- Instruction manual, warranty card and cut-out template

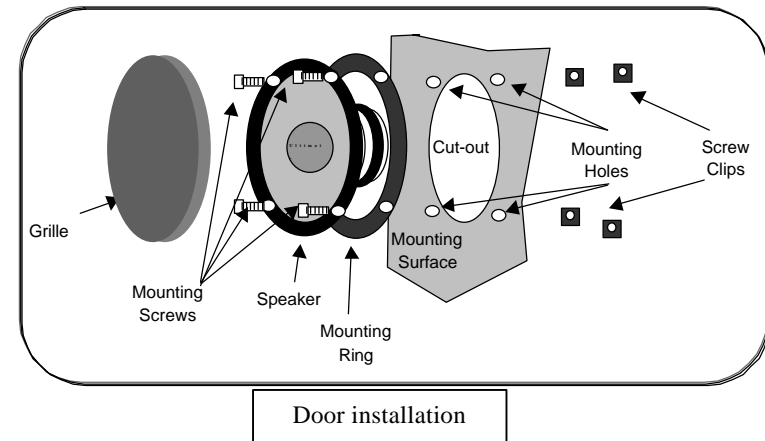
III. Installation- Crossovers

1. Choose mounting locations for your **U^X** crossovers. Make sure the the crossovers will not obstruct the mechanical function of any device or system in the vehicle. Be sure the mounting location and the drilling of screw holes for mounting will not present a hazard to any wires, control cables, fuel lines, fuel tanks, hydraulic lines, or other vehicle systems or components.
2. Press the indentation at the end opposite the connecting terminals and lift off the crossover cover. If you wish to mount the crossover to a flat surface, use the crossover as a template to mark where to drill the mounting holes. Use a 1/8" (3mm) bit, drill the holes and use the supplied screws to mount the crossover.
3. Connect the crossovers to your amplifier, mid-woofer, and tweeter locations. The terminals are marked for easy identification and to help you observe the correct polarity. Just insert the wire ends into the terminals, and secure the connection by tightening the terminal screws.



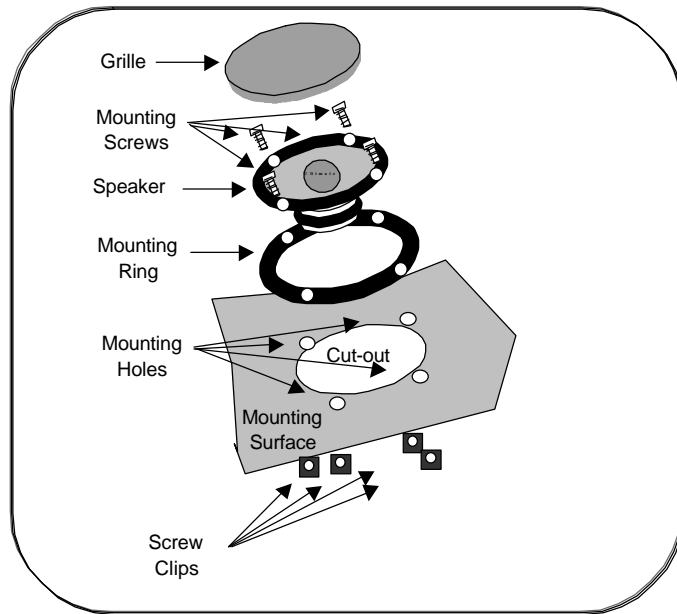
components. For rear deck installations, make sure the speakers will not interfere with opening and closing the trunk.

2. If you are replacing an original factory speaker with a speaker that is exactly the same size, you may not need to cut or drill any new holes or run any additional wires. Simply connect the speakers, observing correct polarity, and mount the speakers in the factory location, using the original mounting cut-outs, screw holes and hardware. You probably will not need the grilles and mounting rings for replacement installations.
3. Use the supplied template as a guide to cut the proper diameter mounting holes. Use the template or mounting ring to mark the locations for the mounting screws and drill the holes with a 1/8" diameter bit.



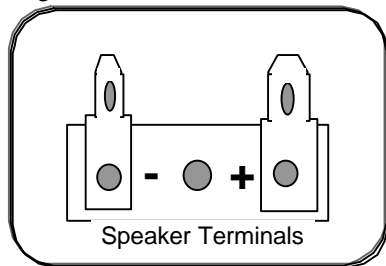
IV. Installation- Mid-Woofers

1. Choose mounting locations for your **U^X** mid-woofers. Check for clearance behind the speaker mounting locations, making sure the speakers will not interfere with any handles, window cranks, door locks, or brackets. If the speakers are to be mounted in the vehicle doors, check the operation of all functions (windows, locks, and any other switches or hand cranks) to make sure there is no obstruction. Be sure the mounting location and the drilling of screw holes for mounting will not present a hazard to any wires, control cables, fuel lines, fuel tanks, hydraulic lines, or other vehicle systems or



Rear Deck installation

4. Feed the speaker wire from the crossover W+ and W- terminals through the opening and mounting ring, and connect it to the speaker terminals. Make sure you maintain the correct polarity. The supplied speaker wire is marked to help you maintain correct polarity when making connections. The terminals at one end of the speaker wire are coded by size to match the speaker terminals. Just push the connectors onto the matching terminals.

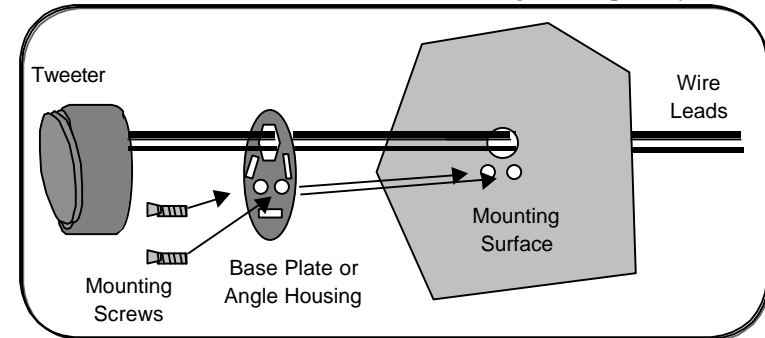


5. Fit the mounting ring and speaker to the cut-out and mount with the supplied screws and clips. Apply a small amount of the grille adhesive at 4 or more points around the edges of the grilles and carefully, but firmly, press the grilles into place.

V. Installation- Tweeters

Choose mounting locations for your titanium dome swivel tweeters. Remember that for the best performance, the tweeters should be mounted as close to the mid-woofers as possible, with an unobstructed, direct path to the listening area. Check for clearance behind the tweeter mounting locations, making sure the tweeters will not interfere with any handles, window cranks, door locks, or brackets. If the tweeters are to be mounted on the vehicle doors, check the operation of all functions (windows, locks, and any other switches or hand cranks) to make sure there is no obstruction. Be sure the mounting location and the drilling of screw holes for mounting will not present a hazard to any wires, control cables, fuel lines, fuel tanks, hydraulic lines, or other vehicle systems or components.

1. **Surface Mount-** Using the base plate as a template, mark and drill two 1/8" (3mm) mounting screw holes and a 1/4" (6mm) wire exit hole in the mounting surface. Mount the base plate to the mounting surface with the screws. Feed the tweeter's attached lead wires through the exit hole. Carefully, but firmly press the tweeter back against the base plate, matching the slots on the bottom of the tweeter with the bayonet style mounting tabs on the base plate. Rotate the tweeter body to lock it into place. Connect speaker wire from the crossover T+ and T- terminals to the tweeter lead wires, observing correct polarity.



Tweeter Surface or Angle Mount

Specifications

Model	U ^A 6.5	U ^A 5.2
Size	6.5"/165mm	5.25"/133mm
Impedance	4Ω	4Ω
Frequency Response	60Hz-20kHz	70Hz-20kHz
Sensitivity	90.2dB	89.4dB
Power-	100 Watts	90 Watts
Cone	Graphite Injected	Graphite Injected
Surround	Butyl	Butyl
Tweeter	titanium/neodymium swivel	titanium/neodymium swivel
Frame	Steel	Steel
Crossover	2-Way, 12dB/Octave	2-Way, 12dB/Octave
Mounting Depth(In.)	2.52"	2.23"
Mounting Depth(mm)	64mm	56.7mm

See the supplied warranty card for service information

Call 888-909-9988 for technical assistance.