

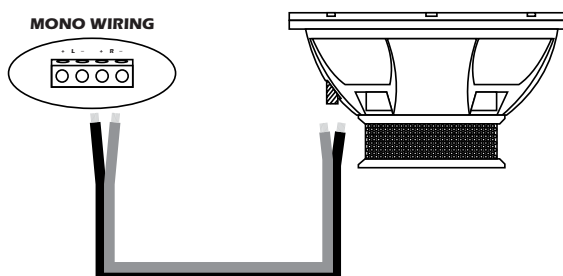
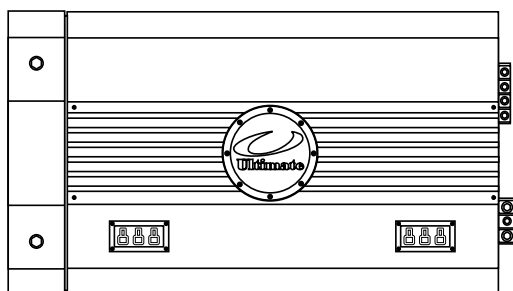


### IMPORTANT!!!

In order to maximize the performance of our Class D amplifiers, it is highly recommended to follow the wiring diagrams below. Failure to do so may result in premature damage to your amplifier and/or subwoofers.

### T3-500D with one T3-10.3 / T3-12.3

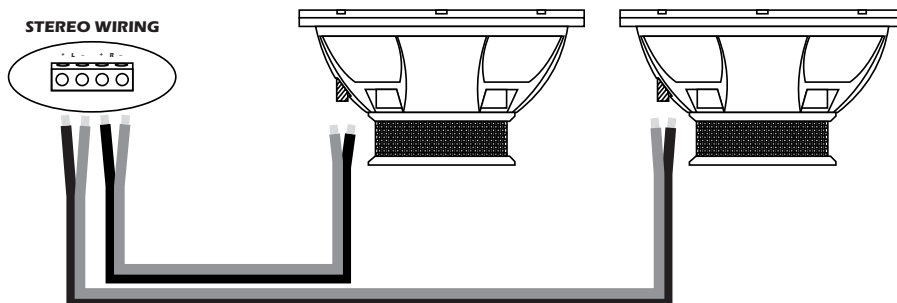
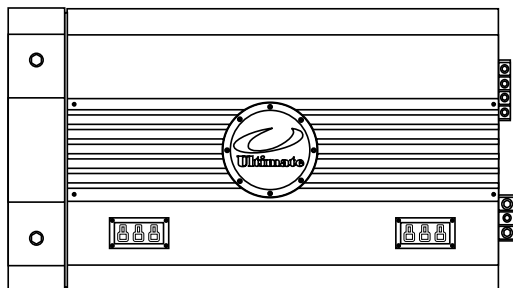
Single voice coil subwoofer connection



Results in a 3 ohm load on the amplifier.

### T3-500D with two T3-10.3 / T3-12.3

Single voice coil subwoofer connection



Results in a 1.5 ohm load on the amplifier.

## Performance Data

Operating Voltage - 13.8v

Amplifier Speaker Load	RMS Power	Current
<b>4 ohm</b>	<b>500W</b>	<b>45A</b>
<b>2 ohm</b>	<b>1000W</b>	<b>92A</b>

Operating Voltage - 12.5v

Amplifier Speaker Load	RMS Power	Current
<b>4 ohm</b>	<b>500W</b>	<b>53A</b>
<b>2 ohm</b>	<b>1000W</b>	<b>100A</b>

Note: No less than 4ga power and ground wire must be used in these wiring configurations. We also recommend the use of a 1 farad capacitor for optimized power delivery.

Ultimate Car Audio is not responsible for any damage that may occur to one's vehicle, as a result of improperly installed or configured amplifiers. Specifications subject to change. The data above is based on a controlled test bench environment. Test frequency is 100hz, at 1% THD.

# Ultimate Car Audio

## Technical Pages



September 1, 2005

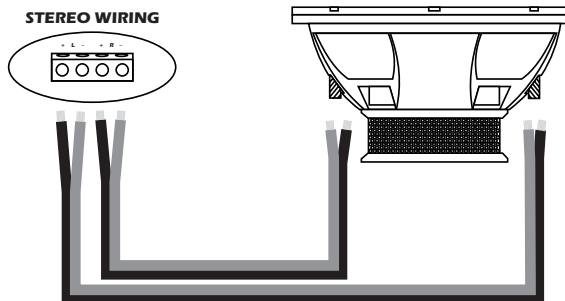
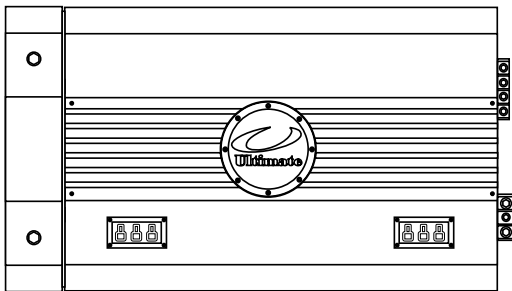
Ver. 1.0

### IMPORTANT!!!

In order to maximize the performance of our Class D amplifiers, it is highly recommended to follow the wiring diagrams below. Failure to do so may result in premature damage to your amplifier and/or subwoofers.

### T3-500D with one T3-10.3DVC / T3-12.3DVC

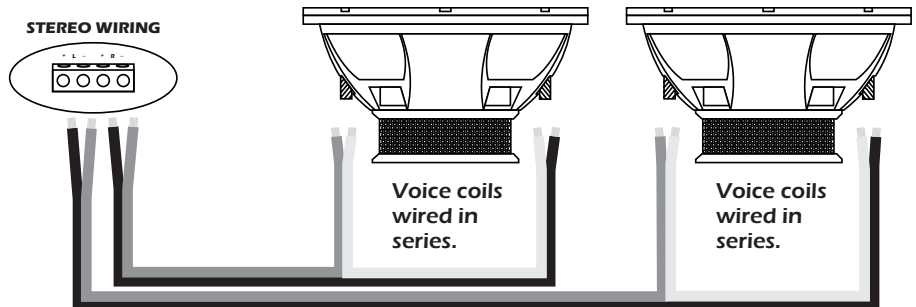
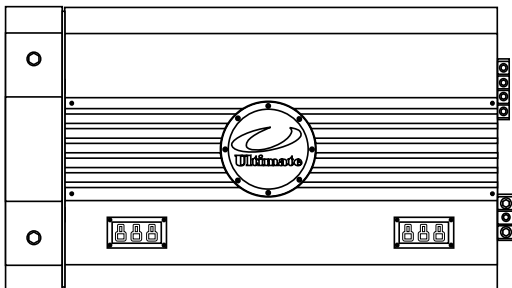
Dual voice coil subwoofer connection



Results in a 1.5 ohm load on the amplifier.

### T3-500D with two T3-10.3DVC / T3-12.3DVC

Dual voice coil subwoofer connection



Results in a 3 ohm load on the amplifier.

## Performance Data

Operating Voltage - 13.8v

Amplifier Speaker Load	RMS Power	Current
<b>4 ohm</b>	<b>500W</b>	<b>45A</b>
<b>2 ohm</b>	<b>1000W</b>	<b>92A</b>

Operating Voltage - 12.5v

Amplifier Speaker Load	RMS Power	Current
<b>4 ohm</b>	<b>500W</b>	<b>53A</b>
<b>2 ohm</b>	<b>1000W</b>	<b>100A</b>

Note: No less than 4ga power and ground wire must be used in these wiring configurations. We also recommend the use of a 1 farad capacitor for optimized power delivery.

Ultimate Car Audio is not responsible for any damage that may occur to one's vehicle, as a result of improperly installed or configured amplifiers. Specifications subject to change. The data above is based on a controlled test bench environment. Test frequency is 100hz, at 1% THD.

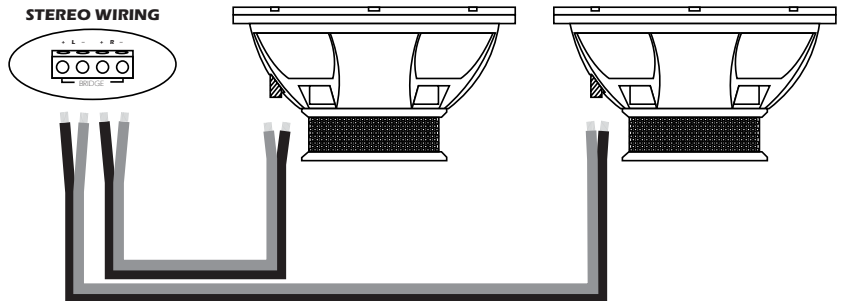
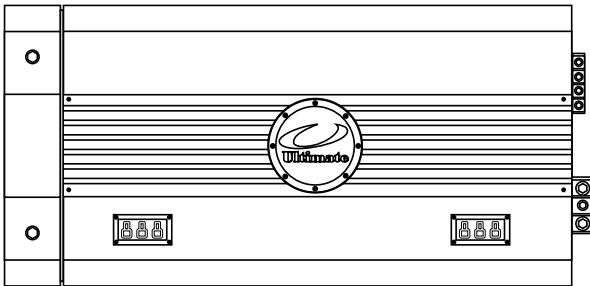


### IMPORTANT!!!

In order to maximize the performance of our Class D amplifiers, it is highly recommended to follow the wiring diagrams below. Failure to do so may result in premature damage to your amplifier and/or subwoofers.

### T3-1000D with two T3-10.3 / T3-12.3

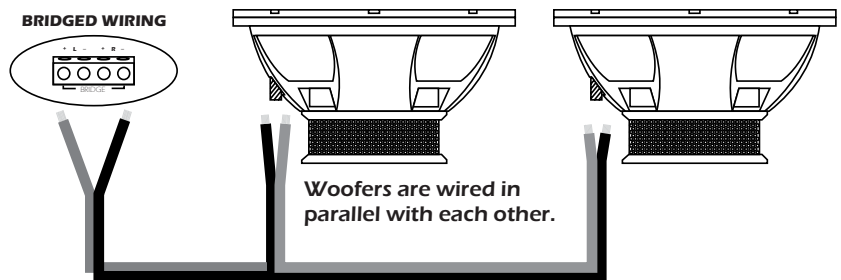
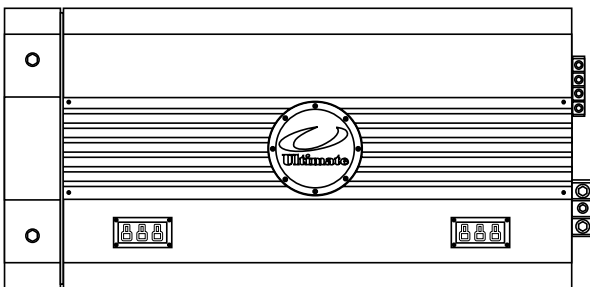
Single voice coil subwoofer connection



Results in a 3 ohm load on the amplifier.

### T3-1000D with two T3-10.3 / T3-12.3

Single voice coil subwoofer connection



Results in a 1.5 ohm load on the amplifier.

## Performance Data

Operating Voltage - 13.8v

Amplifier Speaker Load	RMS Power	Current
<b>4 ohm stereo</b>	<b>530W/ch</b>	<b>38A</b>
<b>4 ohm mono</b>	<b>1800W</b>	<b>59A</b>
<b>2 ohm stereo</b>	<b>800W/ch</b>	<b>60A</b>
<b>2 ohm mono</b>	<b>2700W</b>	<b>105A</b>

Operating Voltage - 12.5v

Amplifier Speaker Load	RMS Power	Current
<b>4 ohm stereo</b>	<b>300W/ch</b>	<b>65A</b>
<b>4 ohm mono</b>	<b>1000W</b>	<b>105A</b>
<b>2 ohm stereo</b>	<b>500W/ch</b>	<b>98A</b>
<b>2 ohm mono</b>	<b>2000W</b>	<b>210A</b>

Note: No less than 0ga power and ground wire must be used in these wiring configurations. We also recommend the use of a 2 farad capacitor for optimized power delivery.

Ultimate Car Audio is not responsible for any damage that may occur to one's vehicle, as a result of improperly installed or configured amplifiers. Specifications subject to change. The data above is based on a controlled test bench environment. Test frequency is 100hz, at 1% THD.

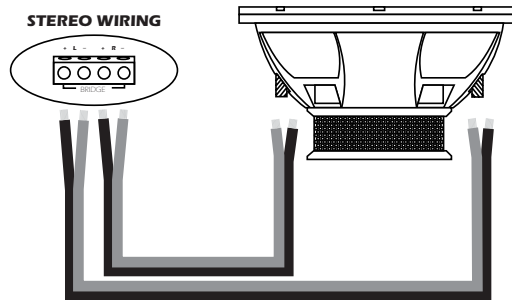
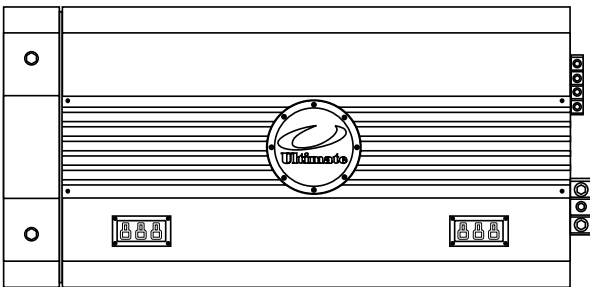


### IMPORTANT!!!

In order to maximize the performance of our Class D amplifiers, it is highly recommended to follow the wiring diagrams below. Failure to do so may result in premature damage to your amplifier and/or subwoofers.

### T3-1000D with one T3-10.3DVC / T3-12.3DVC

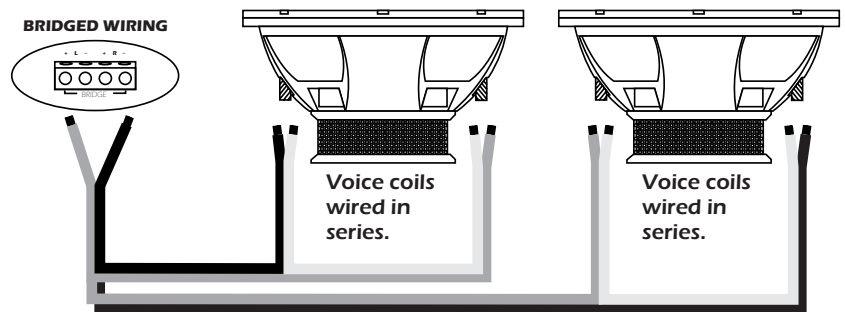
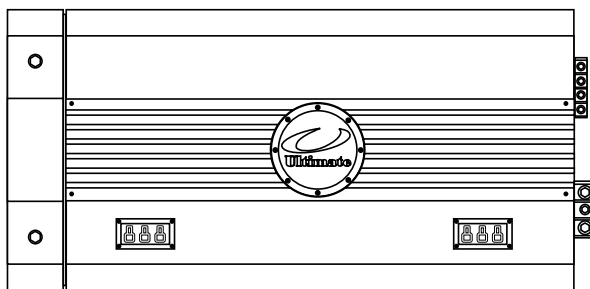
Dual voice coil subwoofer connection



Results in a 3 ohm load on the amplifier.

### T3-1000D with two T3-10.3DVC / T3-12.3DVC

Dual voice coil subwoofer connection



Results in a 3 ohm load on the amplifier.

## Performance Data

Operating Voltage - 13.8v

Amplifier Speaker Load	RMS Power	Current
<b>4 ohm stereo</b>	<b>530W/ch</b>	<b>38A</b>
<b>4 ohm mono</b>	<b>1800W</b>	<b>59A</b>
<b>2 ohm stereo</b>	<b>800W/ch</b>	<b>60A</b>
<b>2 ohm mono</b>	<b>2700W</b>	<b>105A</b>

Operating Voltage - 12.5v

Amplifier Speaker Load	RMS Power	Current
<b>4 ohm stereo</b>	<b>300W/ch</b>	<b>65A</b>
<b>4 ohm mono</b>	<b>1000W</b>	<b>105A</b>
<b>2 ohm stereo</b>	<b>500W/ch</b>	<b>98A</b>
<b>2 ohm mono</b>	<b>2000W</b>	<b>210A</b>

Note: No less than 0ga power and ground wire must be used in these wiring configurations. We also recommend the use of a 2 farad capacitor for optimized power delivery.

Ultimate Car Audio is not responsible for any damage that may occur to one's vehicle, as a result of improperly installed or configured amplifiers. Specifications subject to change. The data above is based on a controlled test bench environment. Test frequency is 100hz, at 1% THD.