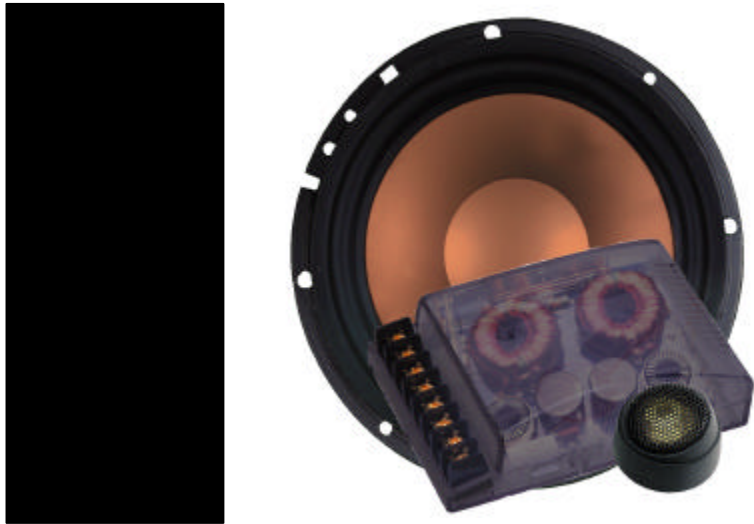




## Cupric Component System



### Installation and Operation Guide

Ultimate Sound, Inc  
138 University Parkway  
Pomona, California  
Phone: 909-594-2604  
Fax: 909-594-0191  
e-mail  
[technicalsupport@ultimate-sound.com](mailto:technicalsupport@ultimate-sound.com)

Ultimate Europe AB  
Flojelbergsgatan 8B  
SE 431 37  
Molndal, Sweden  
Phone: 46-31 87 64 50  
Fax: 46-31 87 64 50  
[europesupport@ultimate-europe.com](mailto:europesupport@ultimate-europe.com)

### I. Introduction

You have purchased a very sophisticated component speaker system manufactured by **Ultimate® Sound**. Founded in 1975, **Ultimate® Sound** makes speakers for every car audio application, speakers for marine environments, enclosed speaker systems, amplifiers, accessories and other products. Our tradition of leadership and innovation in the audio industry continues with innovative products like **Cupric** loudspeakers.

We recommend you have your new **Cupric** loudspeakers installed by a professional. Professional installation shops have the equipment to do the job correctly, and the experience to recommend the best mounting locations in your vehicle.

Please use your new **Cupric** loudspeakers responsibly. Very loud music can cause permanent hearing loss.

#### CUPRIC FEATURES:

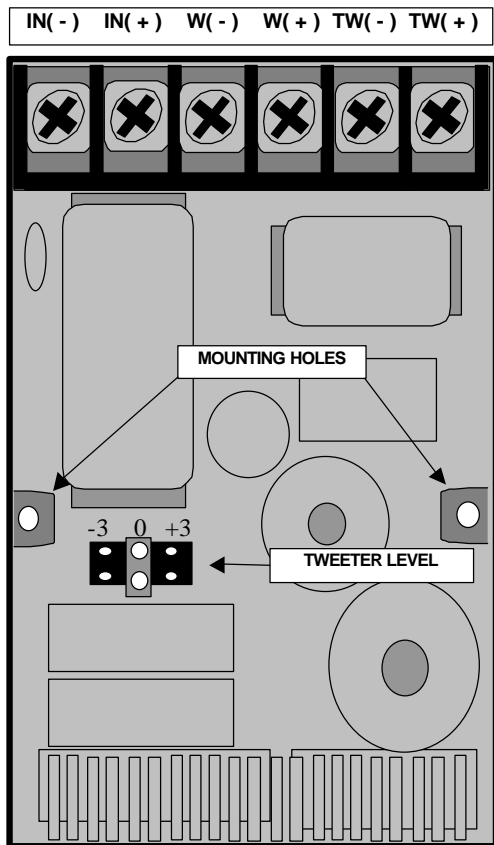
- **Aluminum/Copper Alloy Cone-** Stronger, lighter and more rigid than low carbon steel.
- **Anti-resonant coating-** Eliminates the “Ringing” sound often associated with improperly designed metal cones.
- **Kapton® Voice Coil Former-** Higher power handling than aluminum voice coil formers.
- **4 Layer voice coil windings-** Keep more wire in the magnetic gap for more output.
- **Cast Aluminum Basket-** Keeps the voice coil perfectly aligned even at extreme power levels and eliminates stray magnetic fields that waste power.
- **Butyl Rubber Surround-** Superior damping characteristics and will last longer than foam surrounds
- **Gold Plated Binding Posts-** For dependable, heavy duty connections. Accept up to #8AWG.
- **Diamond Plated Titanium Dome Swivel Tweeters with Neodymium Magnets** provide smooth response beyond 50kHz for crystal clear high frequencies. Swivel tweeters can be aimed precisely for best stereo imaging. Flush, surface, or angle mount for complete flexibility in planning your installation.
- **Matched 24dB/Octave Linkwitz/Reilly Crossovers** with +3dB/-3dB tweeter level adjustment for precise system tuning.

### II. Package Contents

- 1 pair of **Cupric** component mid-woofers
- 1 pair of speaker grilles and mounting rings
- Grille mounting adhesive
- Mounting hardware(nuts, screws and screw clips)
- 1pair of titanium dome swivel tweeters
- Tweeter mounting hardware(flush, surface and angle)
- 20' of #18AWG speaker wire
- 1 pair of 24dB/Octave crossovers
- Instruction manual, warranty card and cut-out template

### III. Installation- Crossovers

1. Choose mounting locations for your Cupric crossovers. Make sure the the crossovers will not obstruct the mechanical function of any device or system in the vehicle. Be sure the mounting location and the drilling of screw holes will not present a hazard to any wires, control cables, fuel lines, fuel tanks, hydraulic lines, or other vehicle systems or components.

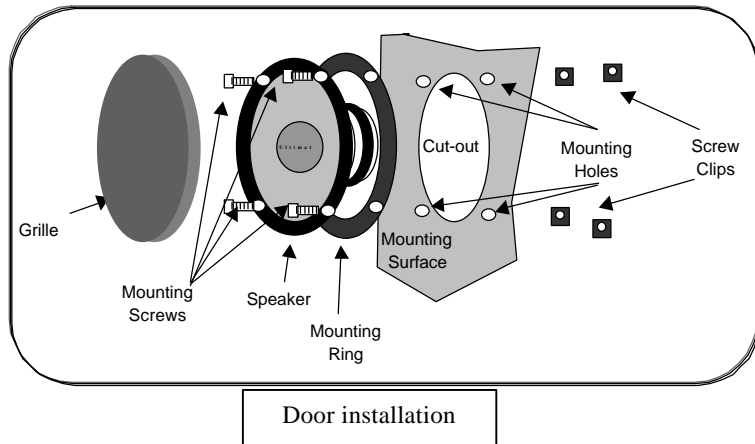


2. Press the indentation at the sides of the housing, and lift off the crossover cover. If you wish to mount the crossover to a flat surface, use the crossover as a template to mark where to drill the mounting holes. Use a 1/8"(3mm) bit, drill the holes and use the supplied screws to mount the crossover.

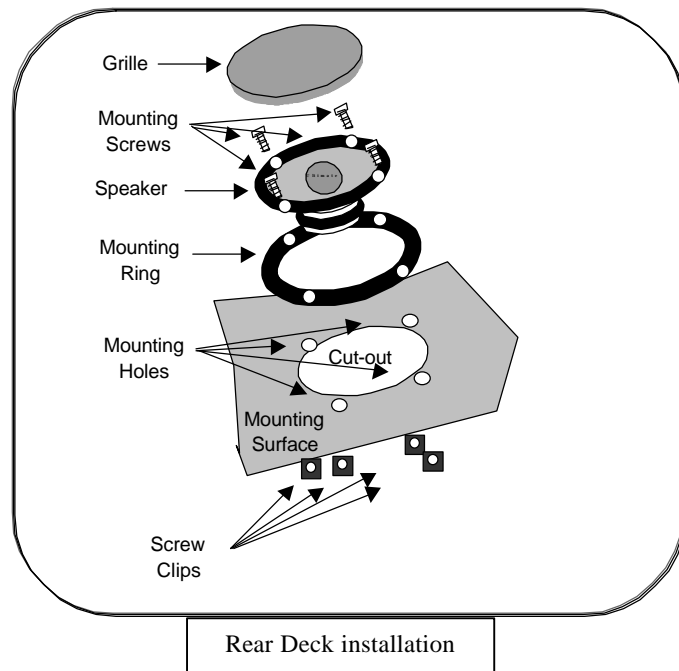
3. You may want to mount the crossovers in an accessible location so you can easily change the tweeter output level by moving the jumper to +3dB, -3dB or 0dB.
4. Connect the crossovers to your amplifier, mid-woofer, and tweeter locations. The terminals are marked for easy identification and to help you observe the correct polarity. Just insert the wire ends into the terminal slots, and secure the connection by tightening the terminal screws.

### IV. Installation- Mid-Woofers

1. Choose mounting locations for your Cupric mid-woofers. Check for clearance behind the speaker mounting locations, making sure the speakers will not interfere with any handles, window cranks, door locks, or brackets. If the speakers are to be mounted in the vehicle doors, check the operation of all functions(windows, locks, and any other switches or hand cranks) to make sure there is no obstruction. Be sure the mounting location and the drilling of screw holes for mounting will not present a hazard to any wires, control cables, fuel lines, fuel tanks, hydraulic lines, or other vehicle systems or components. For rear deck installations, make sure the speakers will not interfere with opening and closing the trunk.
2. If you are replacing an original factory speaker with a speaker that is exactly the same size, you may not need to cut or drill any new holes or run any additional wires. Simply connect the speakers, observing correct polarity, and mount the speakers in the factory location, using the original mounting cut-outs, screw holes and hardware. You probably will not need the grilles and mounting rings for replacement installations.
3. Use the supplied template as a guide to cut the proper diameter mounting holes. Use the template or mounting ring to mark the locations for the mounting screws and drill the holes with a 1/8" diameter bit.

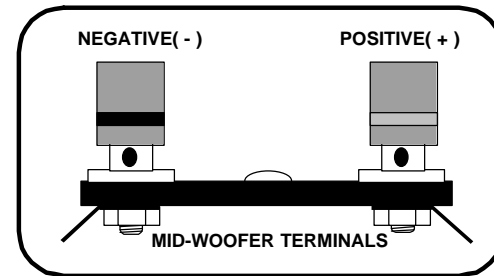


Door installation



Rear Deck installation

4. Feed the speaker wire from the crossover W+ and W- terminals through the opening and mounting ring, and connect it to the speaker terminals. Make sure you maintain the correct polarity. The supplied speaker wire is marked to help you maintain correct polarity when making connections.

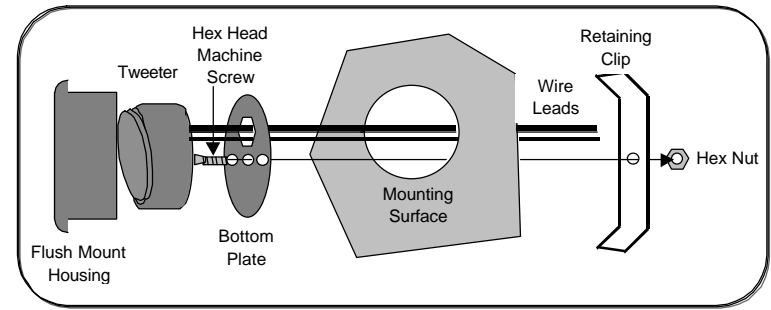
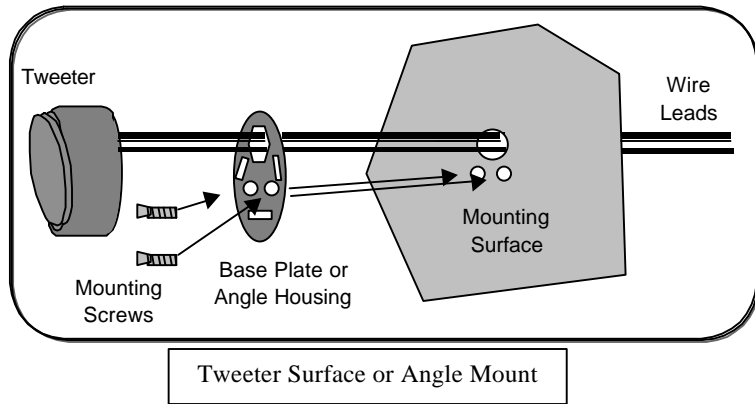


5. Fit the mounting ring and speaker to the cut-out and mount with the supplied screws and clips. Apply a small amount of the grille adhesive at 4 or more points around the edges of the grilles and carefully, but firmly, press the grilles into place.

## V. Installation- Tweeters

Choose mounting locations for your Cupric Titanium dome tweeters. Remember that for the best performance, the tweeters should be mounted as close to the mid-woofers as possible, with an unobstructed, direct path to the listening area. Check for clearance behind the tweeter mounting locations, making sure the tweeters will not interfere with any handles, window cranks, door locks, or brackets. If the tweeters are to be mounted in the vehicle doors, check the operation of all functions (windows, locks, and any other switches or hand cranks) to make sure there is no obstruction. Be sure the mounting location and the drilling of screw holes for mounting will not present a hazard to any wires, control cables, fuel lines, fuel tanks, hydraulic lines, or other vehicle systems or components.

1. **Surface or Angle Mount-** Using the base plate or angle housing as a template, mark and drill two 1/8"(3mm) mounting screw holes and a 1/4"(6mm) wire exit hole in the mounting surface. Mount the base plate or angle housing to the mounting surface with the screws. Feed the tweeter's attached lead wires through the exit hole. Carefully, but firmly press the tweeter back against the base plate or angle housing, matching the slots on the bottom of the tweeter with the bayonet style mounting tabs on the base plate or angle housing. Rotate the tweeter body to lock it into place. Connect speaker wire from the crossover T+ and T- terminals to the tweeter lead wires, observing correct polarity.



- Flush Mount-** Using the flush mount housing as a template, mark the cut-out hole in the mounting surface carefully. The exact size of the hole should be 2 1/8" (53.8mm), and it will be difficult to hide any mistakes. Cut out the mounting hole. Slide the tweeter into the flush mount housing. Push the hex head machine screw through the center hole in the bottom plate from the side with the hex recess. Make sure the screw head is seated in the recess so it will not turn. Feed the wire leads through the exit hole in the bottom plate. Press the bottom plate into the bottom of the flush mount housing and turn it to lock it in place. Feed the wire leads through first, then press the entire assembly through the cut-out hole in the mounting surface. Press the retaining clip onto the machine screw, and tighten the hex nut on the screw until the entire assembly is firmly in place. Do not over tighten. Connect speaker wire from the crossover **T+** and **T-** terminals to the tweeter lead wires, observing correct polarity.

## Specifications

<b>Model</b>	ACC65
<b>Size</b>	6.5"/165mm
<b>Impedance</b>	4Ω
<b>Frequency Response</b>	44Hz – 50kHz
<b>Sensitivity</b>	93 dB
<b>Power- RMS</b>	120 Watts
<b>Power- MAX</b>	240 Watts

Cone	Aluminum/Copper Alloy
Surround	Butyl Rubber
Tweeter	Diamond Plated Titanium Dome
Frame	Cast Aluminum
Crossover	2-Way, 24dB/Octave Linkwitz/Reilly
Mounting Depth(In.)	2.7"
Mounting Depth(mm)	68.6mm

**See the supplied warranty card for service information**

**Call 888-909-9988 for technical assistance.**